

# Lithium battery energy storage application occasions



 **TAX FREE**

**1-3MWh**

**BESS**



## Lithium battery energy storage application occasions

---



### Applications of Lithium-ion Batteries in Key Sectors Today

Explore the common applications of lithium-ion battery technology in 2025, from EVs to renewable energy, driving sustainability and industrial innovation.

---

### Applications of Lithium-Ion Batteries in Grid-Scale Energy Storage

In the electrical energy transformation process, the grid-level energy storage system plays an essential role in balancing power generation and utilization. Batteries have considerable potential for ...



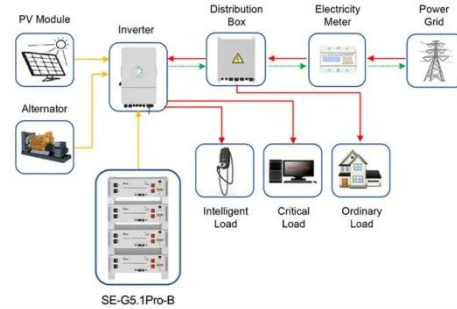
---

### The Future of Energy Storage: Advancements and Roadmaps for Lithium ...

Li-ion batteries (LIBs) have advantages such as high energy and power density, making them suitable for a wide range of applications in recent decades, such as electric vehicles, large-scale energy ...

## Energy Storage Lithium Batteries: Key Applications and Industry ...

Why Lithium Batteries Dominate Modern Energy Storage Imagine a world where solar panels work at night and wind turbines operate in calm weather. Energy storage lithium batteries make this possible by bridging the ...



Application scenarios of energy storage battery products



## Applications of lithium battery energy storage in different ...

The performance of lithium battery energy storage systems may vary in different application scenarios, mainly reflected in aspects such as energy density, cycle life, safety, and cost. The following is a comparative ...

## Advancing energy storage: The future trajectory of lithium-ion battery

The application of lithium-ion batteries in grid energy storage represents a transformative approach to addressing the challenges of integrating renewable energy sources into the power grid.



## Lithium Ion Battery Energy

## Storage: Applications, System Design, ...



A lithium ion battery energy storage system is a technology that stores electrical energy in lithium-based electrochemical cells and delivers it when needed through a power conversion system (PCS). ...

---

## Top 10 Applications of Lithium-Ion Batteries in ...

Explore the top 10 uses of lithium-ion batteries in 2025, from EVs to smart grids. Learn types, benefits, and future trends with Shizen Energy.



---

## Challenges and the Way to Improve Lithium-Ion Battery ...

Abstract As a forefront energy storage technology, lithium-ion batteries (LIBs) have garnered immense attention across diverse applications, including electric vehicles, consumer electronics, and medical devices, owing to ...

---

## Lithium-Ion Battery Technologies and Applications

Lithium-ion batteries represent a cornerstone of modern energy storage

solutions, powering devices ranging from portable electronics to electric vehicles and grid storage systems.



---

## Contact Us

For catalog requests, pricing, or partnerships, please visit:  
<https://kidsandparents.pl>

