

Bolivia Photovoltaic Energy Storage Unit 5MW



Bolivia Photovoltaic Energy Storage Unit 5MW



20 Fascinating Facts About Bolivia: Landlocked Legacy

Explore 20 fascinating facts about Bolivia, from the world's highest capital to vast salt flats and rich indigenous heritage.

Bolivia , History, Geography, Culture, People, History, Politics, Facts

Bolivia is traditionally regarded as a highland country. Although only one-third of its territory lies in the Andes Mountains, most of its largest cities are there, and for centuries the highlands have ...



Bolivia's Photovoltaic Energy Storage Revolution: Powering the ...

This mismatch between solar potential and energy poverty makes photovoltaic (PV) energy storage systems not just desirable, but absolutely critical for national development.

Grid storage system Bolivia

In Latin America, Bolivia is taking some first small steps to develop small storage energy systems to support the national grid. The solar plant Cobija in the northwestern part of Bolivia first connected to ...



bolivia Archives

A city in Bolivia which is currently powered entirely by diesel generators will be the home of a 5MW solar-diesel hybrid power plant fitted with battery storage, which inverter supplier SMA ...

Solar power battery storage Bolivia

A 5MW solar-diesel hybrid power plant connected battery storage is to be installed in Bolivia's Pando province. Solely diesel generators are currently powering the remote area, located 4,000 metres ...



Power battery storage Bolivia

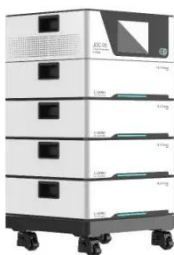
The University of Warwick is set to help Bolivia become a world leader in renewable energies and electric

vehicles, thanks to a historic partnership on lithium battery research with the Bolivian ...



Bolivia country profile

Provides an overview of Bolivia, including key dates and facts about this South American country.



Yingli Green Energy Powers Bolivia's 5MW Solar Project

Isotron installed more than 17,000 solar panels in the 5MW project, which is Bolivia's largest solar project and the world's largest storage-equipped hybrid PV-diesel project.

average gel battery storage price per 5MW in Bolivia

There are several types of energy storage technologies that can be employed to support Bolivia's energy

transition, including batteries, pumped hydro storage, and thermal energy storage.

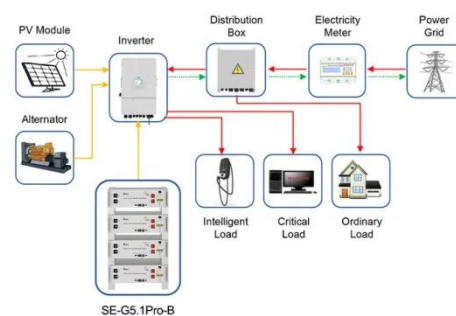


Bolivia Photovoltaic Solar Battery Storage: Powering a Sustainable

"The Uyuni Salt Flat solar project's 5MW/10MWh battery system reduced nighttime diesel consumption by 63% in its first year of operation." - Bolivian Energy Regulatory Authority Report

Cobija, Bolivia , SMA Solar

It was specifically designed to generate enough clean solar power to cover approximately half of the energy demand of the provincial capital of Cobija and its neighboring towns in northern Bolivia during ...



Application scenarios of energy storage battery products

Bolivia , Culture, Facts & Travel ,

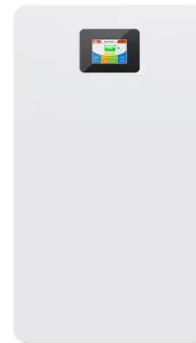
Bolivia is a constitutional democracy and one of the least-developed countries in

South America. Tourist facilities are generally adequate but vary greatly in quality.



Spotlighting The World Factbook as We Bid a Fond Farewell

In 1997, The World Factbook went digital and debuted to a worldwide audience on CIA.gov, where it garnered millions of views each year. The World Factbook appealed to researchers, news ...



Bolivia photovoltaic power station energy storage

The PV plant boosts electricity generation by approximately 100 GWh/year and contributes to the diversification of the Bolivian energy mix, reinforcing Bolivia's national strategy to develop renewable ...

Bolivia Maps & Facts

Bolivia is a landlocked nation located in west-central South America. Covering an

area of 1,098,581 sq.km (424,164 sq mi), Bolivia is the 5th largest country in South America and the largest ...



Contact Us

For catalog requests, pricing, or partnerships, please visit:
<https://kidsandparents.pl>

