

100kW Energy Storage Container for Schools



100kW Energy Storage Container for Schools



100KW Energy Storage Container , Factory Direct Pricing & Fast ...

Get reliable 100KW Energy Storage Container from our factory. Store and use energy efficiently with our high-quality, durable solution. Contact us now!

Sunpal Container Energy Storage System 100 KW 100KWh ...

Feature highlights: 1. The Energy Storage Battery Cabinet offers flexible capacity options (100kWh to 232kWh) with a long cycle life of ≥ 6000 cycles and up to 95% maximum conversion efficiency 2. ...



100KW 200KW 300KW 400KW 500KW Off Grid Solar Power ...

Constructed within robust shipping container enclosures, our energy storage systems are designed to withstand the elements. Protected from harsh weather conditions, our units are built to last, offering ...

VERYPower 100KW/215kWh Energy Block Battery Storage Energy Storage

VERYPower Intelligent Energy Block, with a capacity of 100kWh to 215kWh, Built-in integrated EMS system and PCS, making it suitable for various scenarios such as small and medium-sized ...

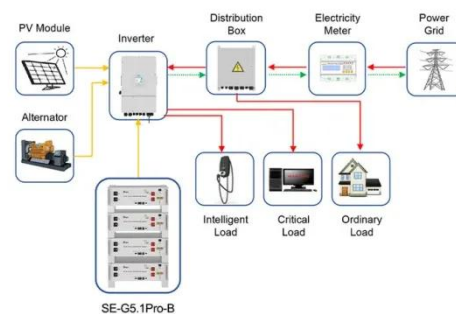


Outdoor Cabinet 100Kw 215Kw Solar Energy Storage Container ...

215KWH ESS with 100KW PCS and Solar Charging System. An energy storage cabinet is a device that integrates an energy storage device and a power management system, which is mainly used to store ...

100kw battery storage container

This container is ideal for commercial and industrial projects, providing reliable power backup and energy management in a compact design. It features advanced battery technology to ensure optimal ...



Application scenarios of energy storage battery products

MEGATRON 100KW-MEGACUBE-

Global Leading ONE-STOP PV

...



MEGATRON 100kW Battery Energy Storage Systems have been created to be a install ready and cost effective on-grid, hybrid, off-grid commercial/industrial energy storage system. Each system is ...

Factory-Built 100KW Energy Storage Container For Efficient Energy ...

Get reliable 100KW Energy Storage Containers from our factory. Store and utilize energy efficiently for your business needs.



100KW Energy Storage Container

These containers function as a stand-alone energy storage system that is specifically designed to store energy generated by solar panels.

Wholesale 100KW Energy Storage Container Manufacturer and ...

The storage containers utilize innovative solar energy storage technology, such as

Lithium-ion batteries, to store excess solar energy generated during the day for use when needed, especially during power ...



Contact Us

For catalog requests, pricing, or partnerships, please visit:
<https://kidsandparents.pl>

